

# Universal Mop

Disposable mop with soap and water - ready to use



**Quick and easy floor cleaning of small areas. Can manage cleaning up to 10 m<sup>2</sup>. on linoleum/vinyl/stone and non-slip floors. Very suitable for toilets, laboratories, isolation rooms, etc. Optimal hygiene - discard after use.**

#### The mop:

Is a 3-layer mop consisting of a special perforated polyester wipe against the floor, a dirt-absorbent middle layer and a final barrier to the feeder.

#### How it works:

The system results in a very effective cleaning, the dirt gets sucked up into the mop and leaves the surface clean and streak free. Due to a controlled release and reabsorption of cleaning liquid the drying out time is also very short.

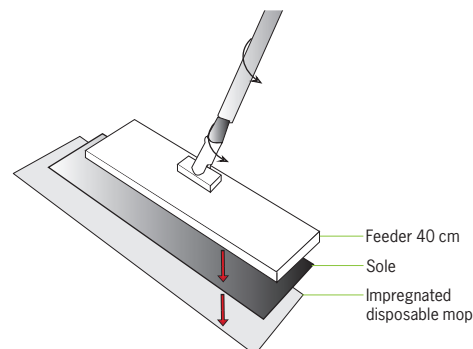
Due to its unique design, the mop can also be used for non-slip surfaces, where high friction is normally a problem.

Item No.: 41172, 45 x 13 cm  
10 mops per pack, 9 packs per carton.

Contains <1% surfactant Preservatives: Sodium Benzoate, Potassium Sorbate.  
Fragrance and dye free.  
Contains lactic acid pH ca. 5.2 (skin neutral) .  
Impregnated with 95g detergent.  
Sufficient for cleaning an area of 10 m<sup>2</sup>.  
Produced in Germany under cGMP.

#### Accessories

It is possible to buy feeder and sole as acquisitions for this product.



Wet Wipe A/S  
Tel: +45 70 266 244  
info@wetwipe.eu  
www.wetwipe.eu

CVR/VAT no: DK 30207726

Wet Wipe GmbH  
Tel: +49800 6646940  
info@wetwipe.de  
www.wetwipe.de

Ust-IdNr. DE 178836011

41-050, EN, Ver. 3  
Aug 2017

wetwipe®