

Chlorine Disinfection

Disposable Mop with active chlorine



Artikelnr.: 62172

Broad-spectrum disinfection Sporicidal
Always correct dosing

Wet Wipe Chlorine Disinfection disposable mops are impregnated with a chlorine granulate

The package with 3 mops contains a cracking bag with water. When the bag is broken, the water will spread over the chlorine granulate and the mop will be ready-to-use after 20 min. With Wet Wipe Chlorine Disinfection you achieve optimal and simple disinfection.

Applications

Disinfection of surfaces and floors, for example by patients in isolation or clean room.

How to use

1. Attach to the sole of the feeder
2. Place the disposable wipe on the floor
3. Push the sole on to the disposable wipe
4. Start the disinfection of the surface
5. Discard the wipe and micropad sole after use
6. Disinfect the feeder and the telescopic handle

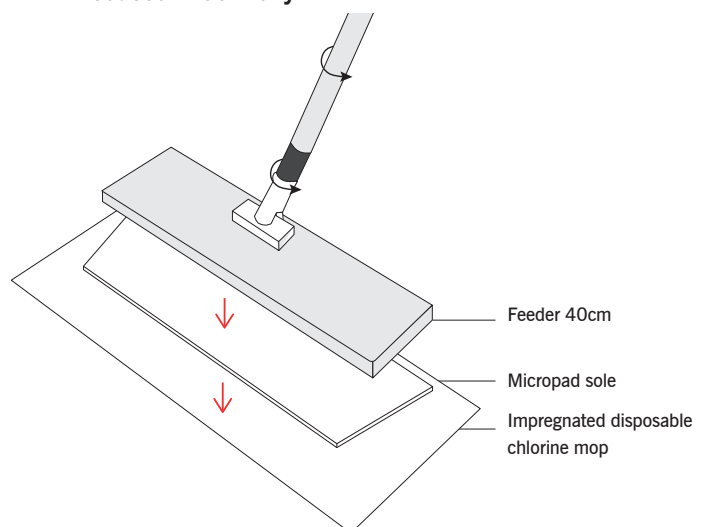
Item no.: 62172: Chlorine Disinfection Mop
18 packs in a carton
1 pack contains 3 mops, 45x13 cm

Content

Chlorine granules: Sodium dichloroisocyanurate dihydrate 100%.
Activated ready to use wipes: Active chlorine > 2000 ppm.

Always read the product labeling before use.
Safety datasheet for the activated ready to use product is available.

Produced in Germany.



Wet Wipe A/S
Tel: +45 70 266 244
info.wetwipe@schuelke.com
www.wetwipe.eu

CVR/VAT no: DK 30207726

DK/EN, Ver1
Maj 2024

wetwipe®
by schülke →

Efficacy

Effective against vegetative bacteria, mycobacteria, yeast, mould fungus, viruses and certain bacterial spores. Recommended for terminal disinfection and for disinfection of surroundings of patients in isolation with *Clostridium difficile* and viruses.

Stability

Products has 2 years of stability before activation.

Activated ready to use wipes retain their disinfection efficacy up to 7 days after activation

The disinfection efficacy have been tested under clean conditions with the following results.

Minimum application time for pass of EN test

Microorganism	EN test	Active chlorine	Time
Bacteria: <i>Staphylococcus aureus</i> , <i>Enterococcus hirae</i> , <i>Escherichia coli</i> , <i>Pseudomonas aeruginosa</i>	EN 13727	1000 ppm	1 min
	EN 16615	1200 ppm	5 min
Yeast fungus: <i>Candida albicans</i>	EN 13624	1000 ppm	1 min
	EN 16615	1200 ppm	5 min
Mould fungus spores: <i>Aspergillus brasiliensis</i>	EN 13624	2000 ppm	15 min
Virus: <i>Norovirus</i> <i>Adenovirus</i> , <i>poliovirus</i>	EN 14476	500 ppm	5 min
Tuberculosis: <i>Mycobacterium terrae</i> , <i>Mycobacterium avium</i>	EN 14348	2000 ppm	5 min
Bacterial spores: <i>Clostridium difficile</i>	EN 17126	1000 ppm	5 min